

SECTION A-A : CIRCULAR SKYLIGHT

SCALE: 1/2" = 1"

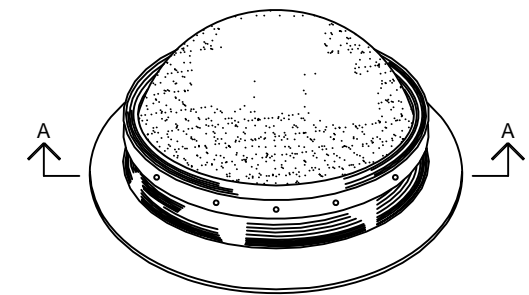
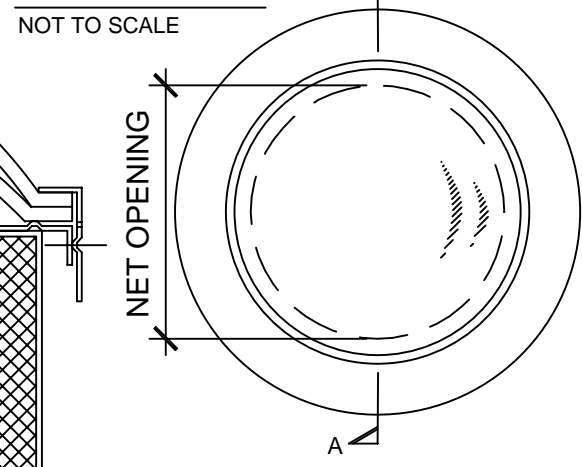
- MODEL : CSDD-
- NET OPENING :
- UNITS REQUIRED :
- CURB HEIGHT :
- DOMES COLOR :
- FINISH :

SPECIFICATIONS:

DIMENSIONS SHALL BE AS SHOWN. DOME SHALL BE FORMED FROM ACRYLIC PLASTIC. ROHM AND HAAS PLEXIGLASS WHITE TRANSLUCENT, OR CLEAR COLORLESS. THE CIRCULAR DOME FLASHING, RETAINING FRAME, COUNTER FLASHING, AND FIBERGLASS INSULATED CURB SHALL BE FROM .032 3003 H14 ALUMINUM. EACH SKYLIGHT UNIT SHALL BE SUPPLIED COMPLETE AND READY FOR INSTALLATION.

STATE FIRE MARSHAL APPROVAL NO. 4350-054
 SEE I.C.B.O. ES APPROVAL NO. 1998
 CITY OF LOS ANGELES RESEARCH REPORT NO. RR-2708

PLAN VIEW
NOT TO SCALE



<i>Lane-Aire</i> MANUFACTURING CORP. 2820 El Presidio Street, Carson, California 90749 (323) 636-2324 - FAX (310) 604-3395	
JOB	SHEET
ARCH.	
CONTR.	OF
SUB. CONTR.	DWG. NO.
DRAWN BY -	CSDD
DATE:	